

ADDENDUM THREE

ROOFING AND RELATED WORK FOR:
GARY COMMUNITY SCHOOL CORPORATION
ROOF REPLACEMENT 2021 - PHASE 1

MARTINRILEY architects ▪ engineers
221 West Baker Street
Fort Wayne, Indiana 46802
260-422-7994

Commission No.: F20069
Addendum Date: 02/01/2021

Conditions: The following clarifications, amendments, additions, deletions, revisions and modifications are a part of the contract documents and change the original documents only in the manner and to the extent stated.

Copies of the Addendum shall be bound with all contract sets of drawings and specifications.

Receipt: Addendum Number Three shall be acknowledged by Bidders on their Bid Form.

CLARIFICATIONS:

N/A

CHANGES TO THE SPECIFICATIONS:

SECTION 04 0100 - MASONRY RESTORATION AND CLEANING, PART 2 PRODUCTS, 2.01 MORTAR MATERIALS, B. Stainless Steel Fabric Flashing, ADD

3. York Flashings, www.yorkmfg.com - Multi-Flash SS

- a. Membrane Thickness: 0.004in
- b. Stainless Steel thickness: 5oz
- c. Width (60' rolls) minimum 16" wide (field verify)
- d. Termination Bar: Stainless Steel (Type 304)
- e. Seam/Overlap Tape: York 304 - 6" wide
 - i. Use to flash over top of back up termination bar
- f. Stainless Steel Receiver: Fabricated as shown on drawings
- g. Extend stainless steel fabric flashing minimum fabric, leave stainless steel flashing exposed to lap over stainless steel receiver.
- h. York - UniverSeal US-11 Liquid Tape - moisture cure polymer non-shrinking sealant used at all laps and between stainless steel and masonry/termination bar, etc.

SECTION 07 5400 - THERMOPLASTIC MEMBRANE ROOFING, PART 2 PRODUCTS, MANUFACTURERS, B. Polyvinyl Chloride (PVC) Single-Ply Membrane Roofing Materials, 3. Sika Sarnafil ADD

- d. SIKAPLAN ADHERED 60
- e. SIKAPLAN ADHERED 60 FELTBACK ENERGYSMART

CHANGES TO THE DRAWINGS:

Sheet R111 - West Side Leadership Academy - Plan Work Description Notes Base Work R111 - Note <15> - ADD NEW NOTE WHERE IT IS CURRENTLY MISSING - REMOVE EXISTING LADDERS (6 LADDERS NOTED ON PLAN), CLEAN, PRIME AND PAINT AND REINSTALL INTO WALL WITH NEW EXPANSION ANCHORS, AREAS <5>, <12>, <13>

Sheet R111 - West Side Leadership Academy - Plan Work Description Notes Base Work R111 - Note <30>
REMOVE AND REPLACE WITH "EXISTING EXPOSED STEEL COLUMN TO REMAIN. GRIND/SCRAPE OUT
MORTAR/SEALANT AT VERTICAL JOINT ON BOTH SIDES OF COLUMN THAT RUNS THE ENTIRE LENGTH
FROM ROOF TO ADJACENT FASCIA ABOVE AT GYMNASIUM ROOF - PROVIDE NEW BACKER ROD AND
TOOLED URETHANE SEALANT (+/-500LF) - PROVIDE NEW CUSTOM FABRICATED STAINLESS STEEL COLUMN
FLASHING THAT TERMINATES AT NEW THRU-WALL FLASHING, AREA <1> AND <2B> - SEE DETAILS 6/R112,
9/R112 AND 13/R115

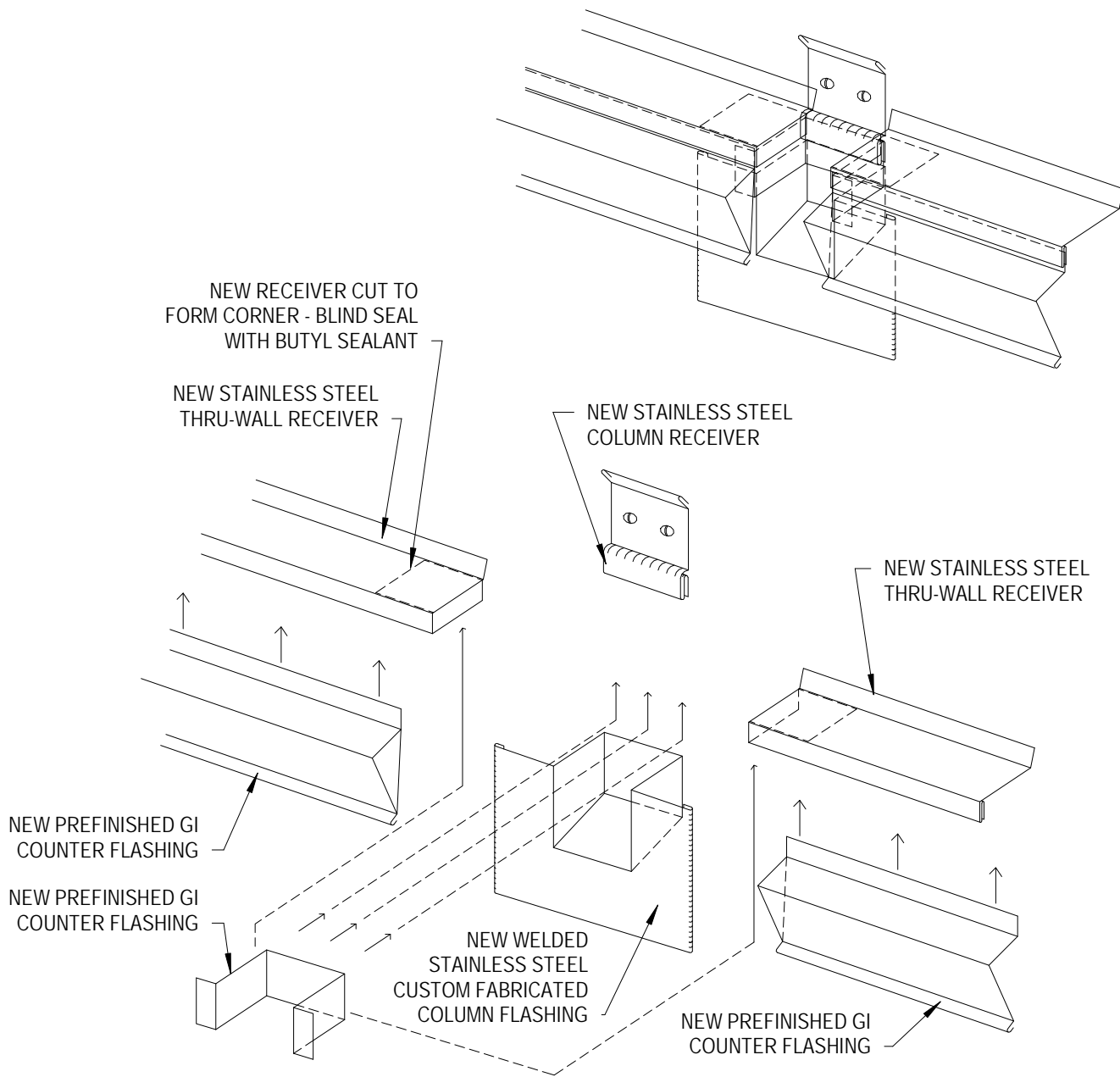
Sheet R112 - West Side Leadership Academy - Details 6/R112 and 9/R112 - REMOVE AND REPLACE the
dashed circle showing Welded Stainless Steel - Custom Fabricated to Fit Cavity Column Flashing with
detail as shown on 1ADD3-1 - Column Flashing attached at the end of this Addendum Three.

END OF ADDENDUM NUMBER THREE

Attachments:

1ADD3-1 - Column Flashing

W:\2020 Projects\F20069 GCS Boiler Rf Repl 2020\Project Management\05-Bidding\Phase 1\Addendum Three - Phase 1\Addendum
Three.docx



1 ADD3-1 - Column Flashing

N.T.S.



221 West Baker Street
Fort Wayne, Indiana 46802

www.martin-riley.com
pho 260-422-7994

SHEET TITLE:
COLUMN FLASHING

TITLE
ROOF REPLACEMENT 2021 - PHASE 1

CITY STATE
9TH AVENUE, GERRY STREET
GARY, INDIANA 46406

DRAWN BY: JDS
DATE: 02/01/21
COMMISSION NUMBER: F20069
REVISION: DATE:

ADD3 -1